

CXS

SECURITY SOLUTIONS







CX5 Security Solutions has always been committed to offering products that can be relied on to be secure, adaptable and affordable. We're proud of the technology incorporated in our products making it difficult for counterfeiters to duplicate or criminals to circumvent.

We help build high security solutions that protect people and property important to them. Big or small, we provide better security for everyone.

*Better security
for everyone!*

05 High Security 101 – Getting Started

// 06 Why CX5?

07 About CX5

// 07 CX5 Security Groove

// 08 CX5 Triio Security Indent

// 09 Geographic Key Management

// 10 Security Features

11 How to Order

// 12 Terms & Conditions

13 Professional Services

// 13 Key System Design Consulting

// 13 Keying Services

15 Key-In-Lever / Knob Cylinders (KIL/KIK)

19 Mortise/Rim Combo Cylinders

23 Small Format Interchangeable Core (SFIC)

27 Large Format Interchangeable Core (LFIC)

31 High Security Deadbolts

35 CX5 Integrated Products

36 CX5 Parts & Accessories

40 Appendix

// 40 Maintenance Guide

// 47 Forms

CX5 SECURITY SOLUTIONS INC.

1725 50th Avenue

Lachine, Qc.

H8T 3C8, Canada

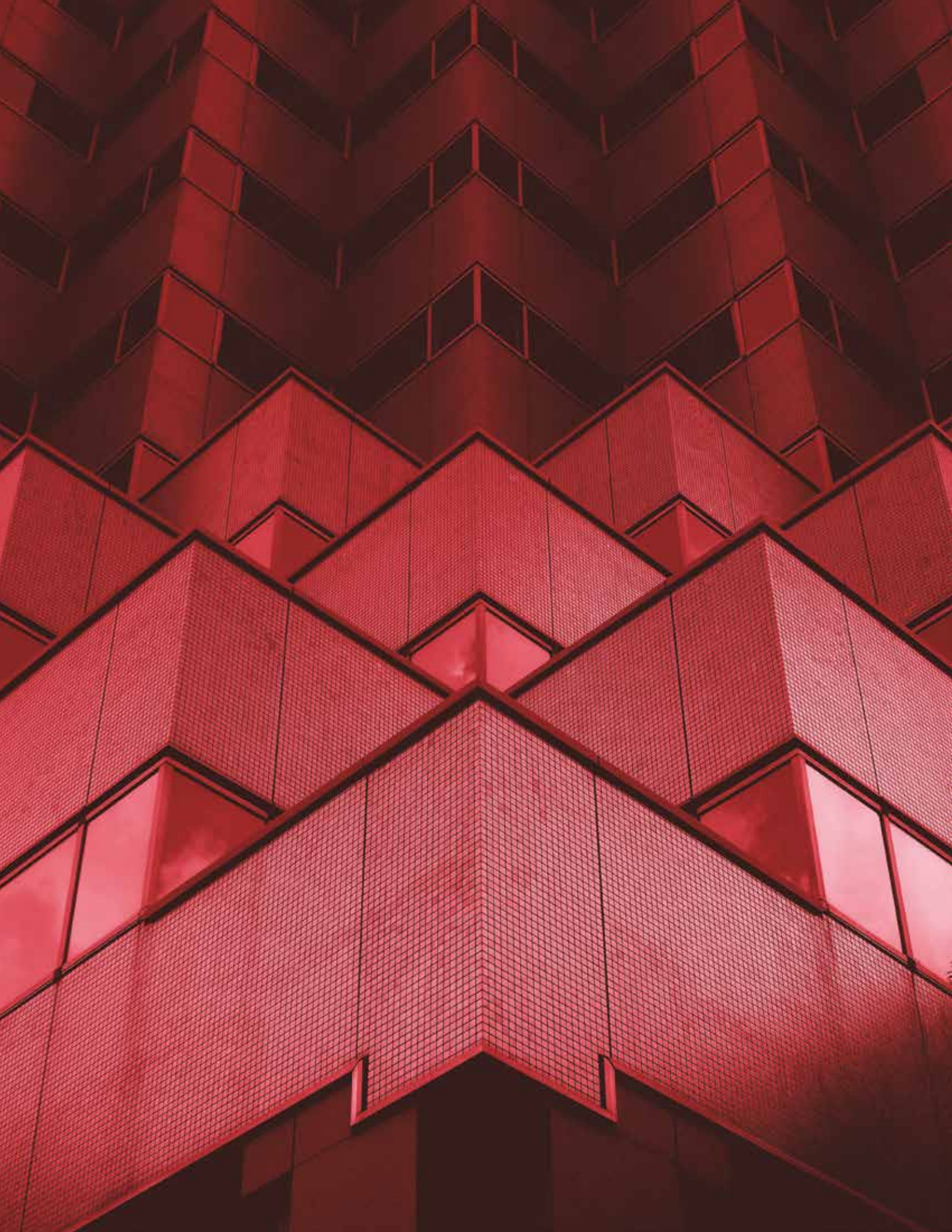
www.cx5security.com

Toll Free: 1-866-387-7868

Telephone: 514-636-8763

FAX: 514-327-8106

info@cx5security.com





High Security 101 – Getting Started

Achieving a high degree of security is dependent on a multi-layered plan to keep facilities, operations and occupants safe. It also requires established documented policies and procedures that support this plan. This plan usually consists of combination of physical, administrative, surveillance and sometimes electronic layers designed to protect, restrict or control access to certain areas – such as a home, office, manufacturing facility, server and / or storage rooms.

Understand Your Needs

There are many levels of security, some suit some areas better than others. It all depends on how strict the need to control access to keys, the location, and/or the degree of physical security required to prevent forced intrusion or lock-picking. Begin by identifying highest risk areas or locations and the doorways leading to them, this will help you prioritize and begin to identify the security measure you'll require.

It's All About Key Control

It is critical to the success of any security plan that the process by which keys (physical or otherwise) are stored, issued, returned and maintained are followed. A stolen or copied key is the most common way that most advanced security systems are compromised. CX5 Keys are geographically controlled and can only be issued by authorized dealers. Without these processes, criminals will have an easier time circumventing your security.

Use Quality Locks

CX5 cylinders are especially effective when used in combination with quality graded door locks made to meet or exceed industry standards for durability; such as those graded to ANSI/BHMA standards. Using low-quality door hardware may undermine the security enhancements provided by CX5 cylinders.

Crime Proof Your Facility

Using CX5 high security cylinders is a great start to crime proofing your property, but remember that no crime prevention is effective on its own. The best deterrent to theft relies on a layering effect of multiple measures.

Most Of All

Remember that criminals will take advantage of targets that present a low probability of them getting caught. When a criminal encounters several different layers of crime proofing, they simply move on to an easier target.



CX5 high security cylinders contribute to a robust security plan by providing a means to physically protect locks from picking, drilling, bumping and forcing attacks and by preventing the un-authorized duplication of keys through administrative control.

Remember: "A stolen or copied key is the most common way that most advanced security systems are compromised."

CX5 cylinders were developed as an innovative, effective and affordable solution to enhance the physical security features of new or existing door locks equipped with common key cylinders. CX5 does this through the application of high-precision manufacturing techniques, high-quality materials, key technologies and geographic key management:

- // **Managed Key Control.** CX5 keys are geographically controlled and cannot be duplicated at non-authorized dealers or a local hardware store. Key blanks are provided to authorized dealers and duplicates can be made when authorized dealers are presented with a valid CX5 Control Card.
- // **Enhanced Attack Resistance.** Common locks or cylinders can easily be drilled or picked, but CX5 cylinders, protected by hardened steel pins, are more resistant to drilling or other forms of physical attack.
- // **Multiple Locking Points.** CX5 cylinders have spring-less side pins that must be aligned to release one or more side-bars, acting as a secondary (CX5 Security Groove) and tertiary (Trio Security Indents) locking mechanisms, making them very pick and bump resistant.
- // **Flexible.** CX5 cylinders are designed to accommodate a wide variety of lever, knobs, mortise locks, deadbolts, exit device trims and padlocks from various hardware manufacturers and distributors. Allowing door hardware from different suppliers to be brought under one flexible key system.
- // **Expandable.** CX5 keying systems can be designed to grow with your keying requirements. You can accommodate for expansion with confidence.

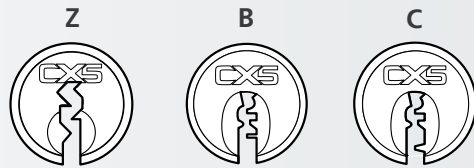
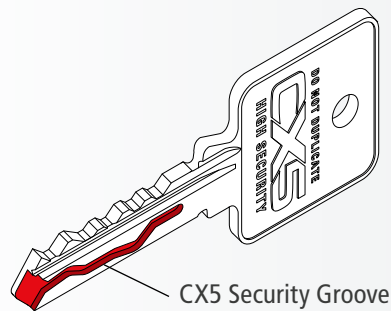
When it comes to your security needs you can count on your CX5 High Security key and locking system to offer peace of mind and affordability. Now and for the future.

Need Help? CX5 Security Solutions can help you build a key control system and processes that will compliment your security plan. We offer several supporting services. (Refer to page 13.)

About CX5

CX5 Key Profiles

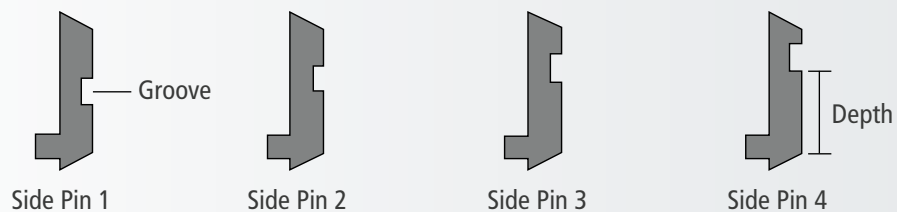
CX5 has three (3) primary profiles – each available in 6 or 7 pin formats. The number of available keyways is further increased using side pins, security grooves and indents – making over 900 unique keyways available. Each unique keyway is geographically controlled and managed.



CX5 Security Groove & Side Pins

Each CX5 High Security key comes with a specially milled security groove along the blade of the key. This security groove activates a series of spring-less side pins that, when in perfect alignment, allow the CX5 side bar (the secondary locking mechanism) to retract from the cylinder housing.

Each side pin has four (4) unique depths, or three (3) for Small Format Interchangeable Cores or SFICs (refer to page 23). This significantly multiplies the number of unique keyways available per primary profile.

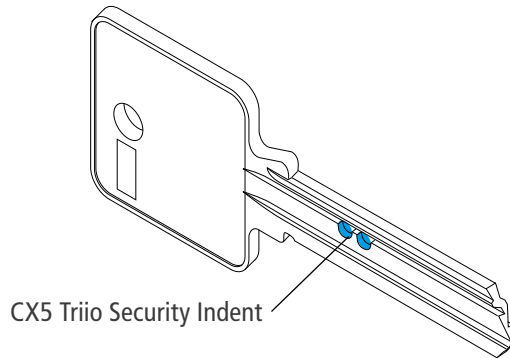




CX5 Triio Security Indent

Along with the CX5 Security Groove, the CX5 Triio keys have a specially designed and patented Security Indent on the key which interacts with a **third locking mechanism**, another side bar, within the Triio cylinder. With the key in place, the spring loaded Triio bar retracts from the cylinder housing and into the cylinder's plug, thereby allowing the key to turn.

CX5 Triio keys are backward compatible with existing non-Triio CX5 cylinders of the same CX5 profile and side-pin code for seamless integration and expandability with existing CX5 key systems.



Patented keys, like those from CX5 Triio, are legally protected from being manufactured and distributed by another manufacturer while non-patented keys have no such legal protection. For this reason, CX5 has focused on making CX5 keys difficult to copy, patented or not, through high precision milling, superior metal alloys and restricted key control.

Simply put, patents protect CX5 intellectual property, but it is CX5 authorized dealers and your internal key management which protect your keys.

Patented or not – all CX5 keys are geographically controlled and cannot be duplicated without an authorized dealer, quality tools, and a valid key control card.

Profile Combinations: Strength In Numbers!

CX5 High Security's combination of CX5 Security Grooves, Triio Security Indents and unique CX5 key profiles allow for more complex key systems; allowing for **hundreds of thousands** of possible key cutting combinations. Ensuring that your CX5 keys remain unique to you and your key system.



Geographic Key Management

Access to CX5 key blanks are geographically controlled. Only authorized dealers have access to them and, in turn, only they can only duplicate keys when presented with a valid control card.

Authorized dealers can purchase rights to carry one or more unique CX5 keyways that are geographically controlled, locally to nationally. Once committed, they become the sole representative for CX5 end-users in that region.

Authorized dealers make a commitment to yearly purchases based on the geographical region they wish to represent. In turn, CX5 High Security will assign a proprietary side pin code or keyway (the unique milling on the side of the CX5 key blade). They then become the sole point of contact for end users of their assigned side pin for all their CX5 High Security needs.

National Keyway Control: Are keyways that are restricted to the geographic boundaries of an entire country. Granting exclusivity to that keyway within chosen country. Ideal for large multi-branch dealers with national exposure or for organizations with widely spread facilities.

Super Regional Keyway Control: Are keyways that are restricted to the geographic boundaries of a large regional cluster of territories, provinces, or states. Granting exclusivity to that keyway within those boundaries. Ideal for large multi-branch dealers in a selected region.

Regional Keyway Control: Are keyways that are restricted to the geographic boundaries of a small regional cluster of territories, provinces, or states or a single large territory, province, or state. Granting exclusivity to that keyway within those boundaries. Ideal for large or mid-sized dealers in a selected region.

District or County Keyway Control: Are keyways that are restricted to the geographic boundaries of a cluster of areas within a territory, province or state. Granting exclusivity to that keyway within those boundaries. Ideal for single branch dealers that operate in a selected area.

Local Keyway Control: Are keyways that are restricted to the geographic boundaries of single area within a territory, province or state, usually assigned by ZIP / postal code. Ideal for small businesses or individual / limited size projects.

If you are interested in becoming an Authorized Dealer, or Reseller or if you have questions about your current contract – please contact CX5 Customer Services at info@cx5security.com

Security Features

Unlike standard cylinders, CX5 high security cylinders undergo a series of attack resistance tests for forced and covert entry. Forced entry includes drilling or physically attacking the cylinder, while covert entry implies lock picking, bumping, key duplication or other techniques that leave no visible signs of entry.

The tests are rigorous and are used to determine a product’s physical resistance against these forms of attack:

- // Lock picking
- // Bypass (bumping)
- // Impression (unauthorized key duplication)
- // Destructive Entry – drilling, pulling, prying, punching, sawing and other physical attacks
- // Endurance (wear-and-tear)

CX5 high security cylinders are durable and include several security features that effectively protect against such attacks:

PRODUCT FEATURES	CX5	CX5 TRIIO
Unique floating side pins	✓	✓
Exclusive keyways	✓	✓
Managed key blanks	✓	✓
Patented key blanks		✓
Anti-drill pins	2	3
Primary side bar	✓	✓
Secondary side bar		✓

For best results, CX5 cylinders should be installed in quality door locks. Use in low quality locks may undermine CX5’s enhanced security features.





How to Order

CX5 offers several channels through which customers can submit their purchase orders or quotes:

- By Email:** orderdesk@cx5security.com
- By Fax:** 514-327-8106 (24hrs)
- Order Desk:** 514-636-8763
 1-866-387-7868 (Toll Free)
 Mon-Fri 9AM to 5PM (Eastern Standard Time)
- Website:** www.cx5security.com

Please refer to the Ordering Checklist to ensure faster processing and avoid delays.

NOTE: *Orders not meeting Minimum Order Quantities (MOQ) for direct sales will be redirected to an authorized dealer or reseller.*

Order Checklist

(Form on Page 41)

- // Purchase Order Number
- // Billing Address
- // Shipping Address
- // Project Quote ID
- // Product Number (Finish / Keyway / Side Pin Code)
- // Quantity
- // Partial shipment approval
- // Keying Instructions (if any)
- // Engraving / Stamping Instructions (if any) – Engraving Form on page 42
- // Special Instructions (if any)

Terms & Conditions

Prices:

All published pricing may change without prior notice. All shipments will be made at prices valid at the time of processing. Any shipping costs will be determined at time of delivery. We reserve the right to correct any errors in this or any other publication or website by CX5 Security Solutions Inc.

Shipping:

Unless otherwise stated, all shipments are FOB shipping point. Any extra charges incurred for additional services are the responsibility of the purchaser and may be included on the order invoice or a subsequent invoice.

Warranty:

CX5 High Security Inc. warrants to the original purchaser of a CX5 branded lock or lock cylinder to be free of defects in material and/or workmanship for a period of one (1) year from date of shipment. This warranty is not transferable. No warranty claim will be accepted without a valid RMA form.

Any product returned under warranty may be repaired, replaced or credited under the sole discretion of CX5 Security Solutions Inc. CX5 Security Solutions Inc is not responsible for "improper use" of products beyond the limits for which it was designed and shall not, in any case, be liable for public, incidental or consequential damages, loss or costs of any kind. No other guarantees exist or are otherwise implied.

"Improper use" includes any and all of the following: installation by anyone other than an Authorized Dealer/Reseller; improper installation; use/operation/maintenance, tampering by End-User; neglect; damage by the application of force; acts of vandalism; accidents; misuse; abuse; repair or alteration by anyone other than a Dealer; and use of keys, key blanks, key cutting machines, cylinders, locks, accessories, lubricants and/or other components that are not the suitable for or are genuine CX5 products.

THE USE OF OTHER THAN SUITABLE, GENUINE CX5 COMPONENTS MAY CAUSE SEVERE DAMAGE TO THE PRODUCT, AND WILL VOID THIS LIMITED WARRANTY.

Product Returns:

CX5 accepts returns if the product is defective from a manufacturing flaw (refer to Warranty). Returns will not be accepted without a valid RMA number. No returns will be accepted after 30 days from RMA issued date. Please contact info@cx5security.com to request a RMA form.

Claims / Damaged Goods:

Claims for item(s) shipped in error, damaged or short shipped must be reported within five (5) days after receipt of goods. Claims for labour or unauthorized charges will not be accepted.

Partial Shipments / Backorders:

Stock items on back order will be shipped as soon as possible. Please notify if you want CX5 to ship partial shipments or to have CX5 hold a shipment until it is ready. Orders received without specific shipping instructions will be shipped at CX5's discretion.

Special Orders:

All products determined to be a special order, once ordered, cannot be cancelled and cannot be returned or refunded. Special order products deemed to be defective by CX5 will be exchanged for the same product.



Professional Services

CX5 Security Solutions offers services to help support our authorized dealer network, lock and security professionals. Here are our most common services:

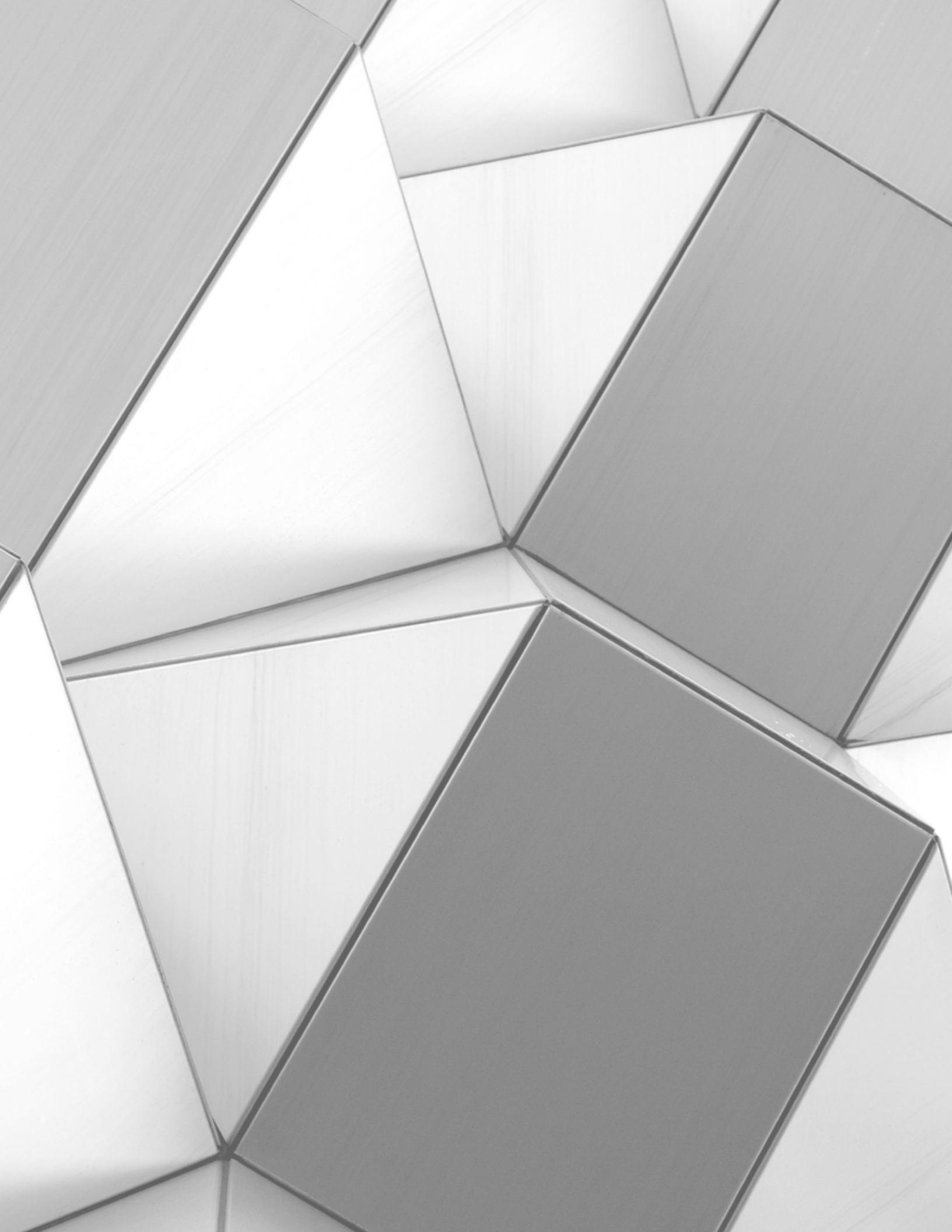
Key System Design Consulting

Key system design consulting with a key system design expert that will assist you in the design and development of a key system to meet your specific requirements. CX5 Security Solutions will then provide all required key system details, bitting lists and pinning charts.

Keying Services

CX5 Security Solutions has a complete keying department staffed with experienced locksmiths and technicians capable of pinning, and keying CX5 cylinders and their keys to your new or existing key system.

For more information about our services – please contact CX5 Customer Service at: info@cx5security.com



Key-In-Lever / Knob Cylinders



CX5 Key-in-Lever (KIL) / Key-in-Knob (KIK) cylinders are compatible with most lever, knob, and deadbolt door locks manufactured with removable cylinders. These cylinders are available with a variety of security features, from our original anti-drilling, anti-picking, and side-bar technology to our new Triio side bar and patented key technology.

- // Patented Triio key technology and geographically controlled keyways prevent unauthorized duplication of keys.¹
- // Enhanced attack resistance through hardened steel pins that prevent drilling attacks.
- // Multiple locking points prevent bump and picking attacks.
- // Set screw capped top pin chambers for easy pinning.
- // Compatible with door locks manufactured with removable cylinders.
- // Keys sold separately, refer to page 36.
- // 1 Year Limited Warranty against manufacturer defects.

How to Order

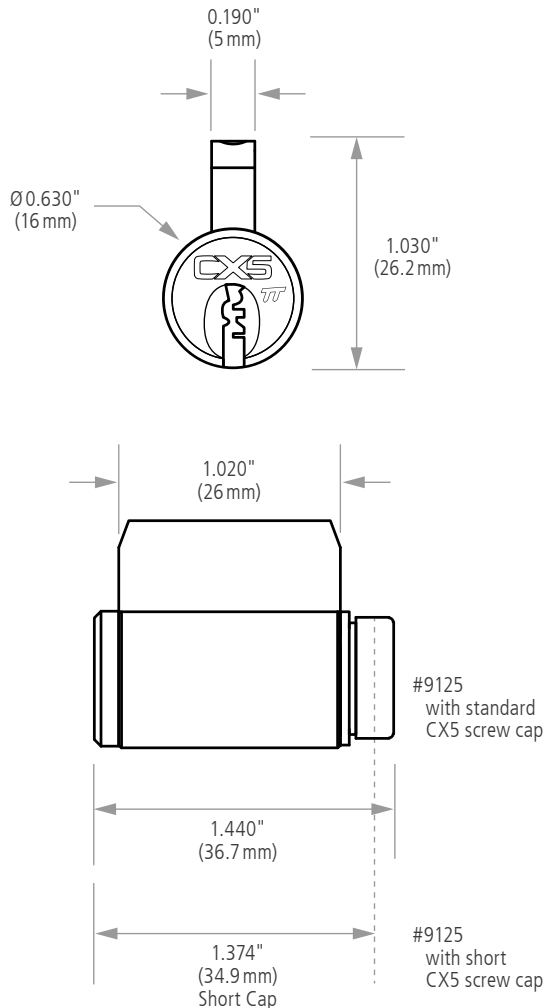
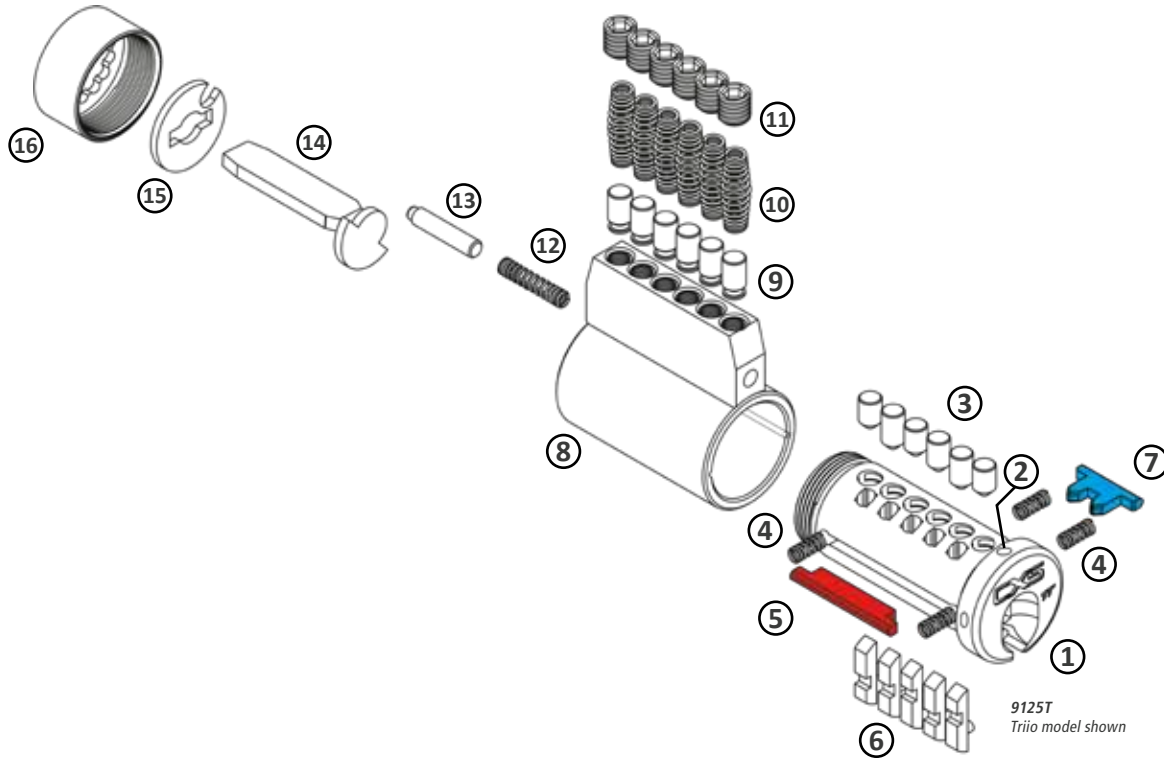
9115	T	–	26D	–	B	–	XXX
Part Number	Technology	–	Finish ²	–	Keyway	–	Side Pin Code
9115	(blank): Original ¹		26D: Satin chrome		Z, B, C		Insert your assigned side-pin code ³
9125	T: Triio						
9165							

(1) Original CX5 key technology available, without Triio sidebar.

(2) Other architectural finishes are available, may require minimum order quantity and/or increased lead time.

(3) Contact CX5 Customer Service to verify your assigned side pin code.

Unless specified otherwise, all CX5 cylinders are delivered 0-bitted, assembled complete with side pins and side bars.




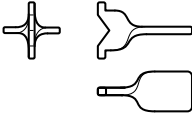
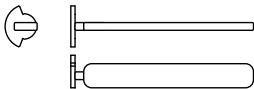

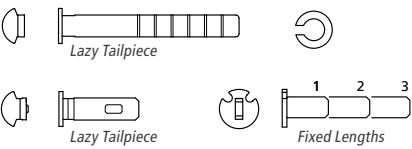
Parts List (9125T)

Item	Description	Part No.	Qty.
1	Plug	—	1
2	Anti-drill pin ¹	—	3
3	Bottom pins ²	CX5-BP [0 to 9]	6
4	Side bar springs ⁴	CX5-SPRSB	4
5	Side bar	CX5-SB5	1
6	Side pin	CX5-SP [1 to 4]	5
7	Triio side bar	CX5-SBT	1
8	Cylinder housing	—	1
9	Top mushroom pin ²	CX5-MPIN	6
10	Top pin spring	CX5-SPRTPK	6
11	Set screw cap	CX5-TPSET	6
12	Cap pin spring	CX5-KIKSPR	1
13	Cap pin	CX5-KIKPIN	1
14	Tailpiece ³	—	4
15	Retainer-Washer	CX5-BLKWSHR	1
16	Screw cap (Standard)	CX5-KIKCAP	1










- (1) number of anti-drill pins dependant on cylinder type.
- (2) cylinders are 0-bitted by default.
- (3) tailpiece type and quantity depend on cylinder type.
- (4) springs are compatible for either side bar.

All dimensions, photos and illustrations are for reference only.
For pinning components refer to page 39.

Available Tailpieces

Description	Part Number	
Fixed Tailpiece for Knobsets	CX5-9115TPF-01	
Fixed Tailpiece for Leversets	CX5-9115TPF-02	
Lazy Tailpiece for Single Cylinder Deadbolt	CX5-9125TPL-01	
Lazy Tailpiece for Double Cylinder Deadbolt (2 Pieces)	CX5-9125TPL-02	
Universal Tailpiece Set (6 Pieces) <i>Includes 2 lazy tailpieces, and 3 fixed tailpiece lengths with retaining clip.</i>	CX5-9165TP	 Lazy Tailpiece Retaining Clip Lazy Tailpiece Fixed Lengths 1 2 3

KIK/KIL Cylinder Parts

Description	Part Number	
Standard CX5 Screw Cap	CX5-KIKCAP	
Short CX5 Screw Cap	CX5-KIKSHRT	
Pin for Screw Cap	CX5-KIKPIN	
Spring for Screw Cap	CX5-KIKSPR	
Black C-Clip Tailpiece Retainer (for #9115/T cylinder)	CX5-CCLIP	
Tailpiece Retainer-Washer (for #9125/T cylinder)	CX5-BLKWSHR	
CX5 Triio Side Bar	CX5-SBT	
CX5 Side Bar	CX5-SB5	
Side Bar Springs	CX5-SPRSB	

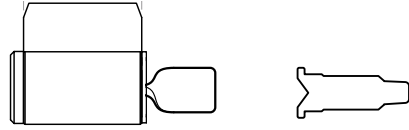
For pinning components refer to page 39.

KIK/KIL Cylinder with Fixed Tailpiece

Description	Part Number
-------------	-------------

6 Pin KIK/KIL Cylinder 9115

With CX5-9115TPF-02 installed, CX5-9115TPF-01 included.

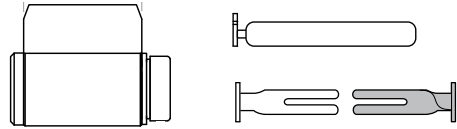


Cylinder with Lazy Tailpiece

Description	Part Number
-------------	-------------

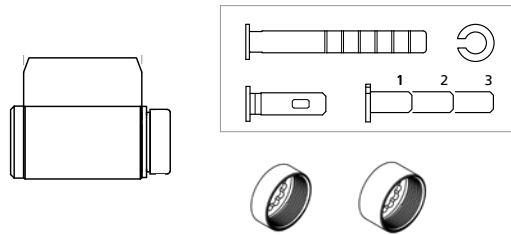
6 Pin Deadbolt Cylinder 9125

Includes CX5-9125TPL-01, CX5-9125TPL-02 and standard size screw cap.



Universal 6 Pin Cylinder 9165

Includes Universal Tailpiece Kit CX5-9165TP, standard CX5-KIKCAP, and short CX5-KIKSHRT screw caps.



Mortise / Rim Combo Cylinders



All CX5 Mortise Cylinders are machined from high quality solid brass and are designed to fit hardware that accept standardized 1 5/32" (29.4 mm) mortise cylinders. Using CX5's Rim Conversion Kit, CX5 Mortise cylinders can be converted for rim cylinder-based hardware such as exit device trims. Available with a variety of security features, from our original dual-locking security, anti-drilling, anti-picking, to our all-new Triio triple locking patented key technology.

- // Patented Triio key technology and geographically controlled keyways prevent unauthorized duplication of keys.¹
- // Made from high quality, precision milled solid brass.
- // Enhanced attack resistance through hardened steel pins that prevent drilling attacks.
- // Multiple locking points, and specially shaped pins prevent bump and picking attacks.
- // Set screw capped top pin chambers for easy pinning.
- // Compatible with door hardware and locks that accept 1 5/32" (29.4 mm) diameter mortise cylinders.
- // Key blanks sold separately, refer to page 36.
- // 1 Year Limited Warranty against manufacturer defects.

How to Order

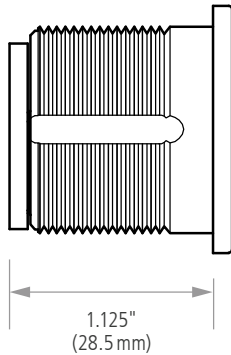
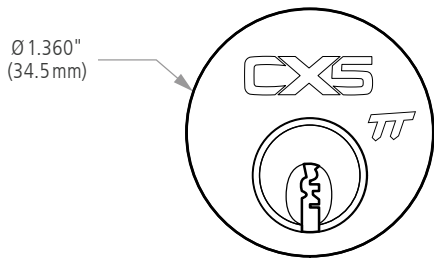
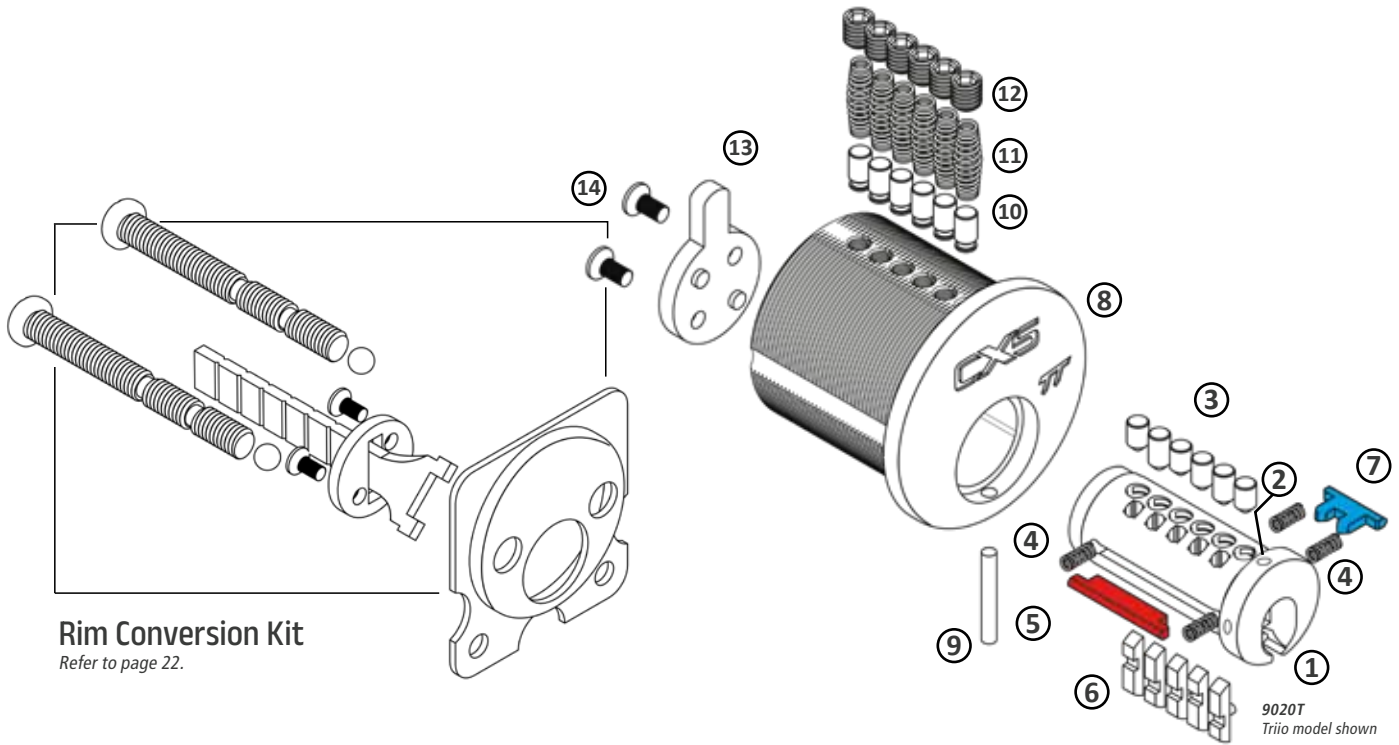
9020	T	–	26D	–	B	–	XXX
Part Number	Technology	–	Finish ²	–	Keyway	–	Side Pin Code
9020	(blank): Original ¹		26D: Satin chrome		Z, B, C		Insert your assigned side-pin code ³
9030	T: Triio						
9040							
9050							

(1) Original CX5 key technology available, without Triio sidebar.

(2) Other architectural finishes are available, may require minimum order quantity and/or increased lead time.

(3) Contact CX5 Customer Service to verify your assigned side pin code.

Unless specified otherwise, all CX5 cylinders are delivered 0-bitted, assembled complete with side pins and side bars. CX5 Mortise Cylinders have CX5-CAM1 (Adams Rite®) installed. Other cams sold separately.



* 9020T cylinder shown.
Refer to page 21 for other lengths.

Parts List (9020T)

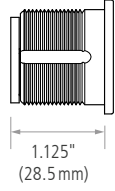
Item	Description	Part No.	Qty.
1	Plug	—	1
2	Anti-drill pin ¹	—	3
3	Bottom pin ²	CX5-BP [0 to 9]	6
4	Side bar springs ³	CX5-SPRSB	4
5	Side bar	CX5-SB5	1
6	Side pin	CX5-SP [1 to 4]	5
7	Trio side bar	CX5-SBT	1
8	Cylinder housing	—	1
9	Anti-drill pin ¹	—	1
10	Top mushroom pin ²	CX5-MPIN	6
11	Top pin spring	CX5-SPTPM	6
12	Set screw cap	CX5-TPSET	6
13	Cam	CX5-CAM1	1
14	Cam screw	CX5-CAMSCREW	2

(1) number of anti-drill pins dependant on cylinder type.
 (2) cylinders are 0-bitted by default.
 (3) springs are compatible for either side bar.

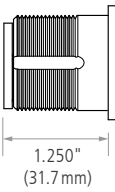
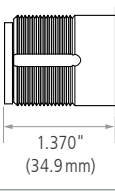
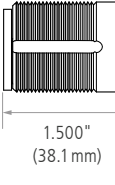
All dimensions, photos and illustrations are for reference only.
 For pinning components refer to page 39.



Mortise / Rim Combo Cylinder

Description	Part Number
1 1/8" 6 Pin RIM/Mortise Combo Cylinder	9020
<i>CX5-CAM1 (Adams Rite®) installed. Includes CX5-CAM2 (Yale®) cam, and CX5-RIMPACK Rim Conversion Kit. Refer to page 22.</i>	
	

Mortise Cylinders

Description	Part Number
1 1/4" 6 Pin Mortise Cylinder	9030
<i>CX5-CAM1 - Adams Rite® installed.</i>	
	
1 3/8" 6 Pin Mortise Cylinder	9040
<i>CX5-CAM1 - Adams Rite® installed.</i>	
	
1 1/2" 6 Pin Mortise Cylinder	9050
<i>CX5-CAM1 - Adams Rite® installed.</i>	
	

Mortise Cylinder CAMs



Description	Part Number
Adams Rite® Type Cam	CX5-CAM1
Yale® Type Cam	CX5-CAM2
Yale® Narrow Type Cam	CX5-CAM2A
Russwin® Type Cam	CX5-CAM3
Falcon® Type Cam	CX5-CAM4
Schlage® Type Cam	CX5-CAM7
Sargent® Type Cam	CX5-CAM8
DOREX® DM Type Cam	CX5-CAM10

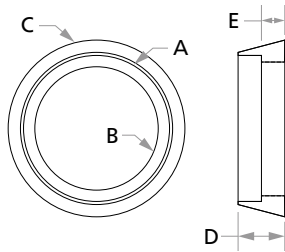
QTY: 10 per package.



CX5 Mortise Cylinder Trim Rings

Description	Finish	Part Number
5/8" Trim Ring w/ Spring Washer, Brass	Satin Chrome	816A-26D
5/8" Trim Ring w/ Spring Washer, Hardened Steel	Satin Chrome	817A-26D
1/2" Trim Ring w/ Spring Washer, Hardened Steel	Satin Chrome	817C-26D
5/16" Trim Ring w/ Spring Washer, Hardened Steel	Satin Chrome	817D-26D

Other finishes available on special order.

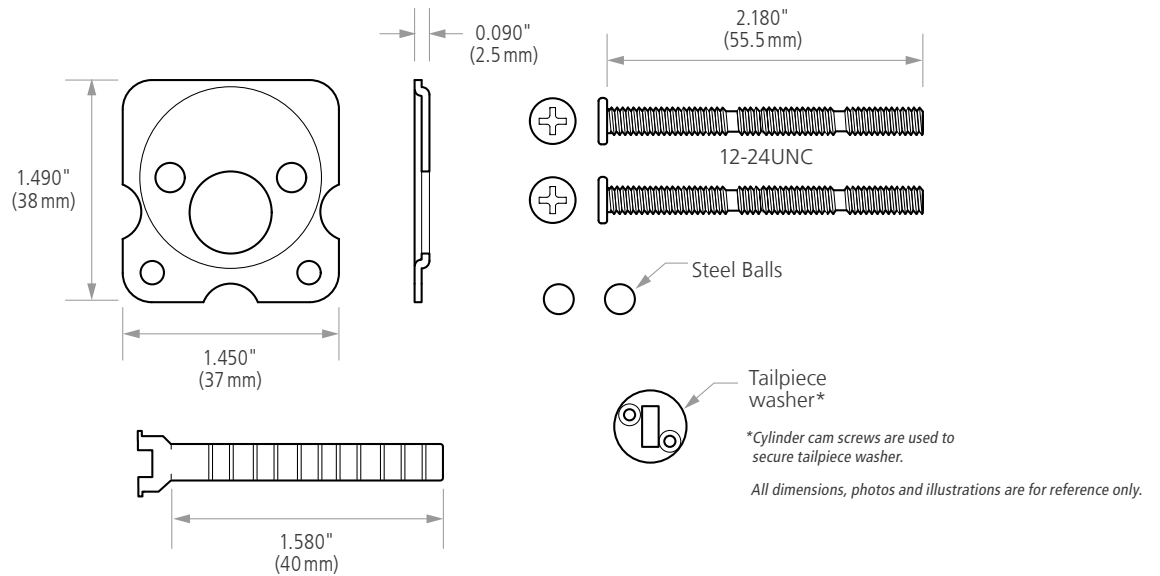


Dimensions	øA	øB	øC	D	E
816A-26D	1.310 (33.5)	1.170 (29.7)	1.730 (43.9)	0.620 (16.0)	0.340 (8.8)
817A-26D	1.370 (35.0)	1.170 (29.5)	1.720 (43.6)	0.630 (16.2)	0.320 (8.25)
817C-26D	1.370 (35.0)	1.170 (29.5)	1.700 (43.1)	0.510 (13.2)	0.200 (5.1)
817D-26D	1.370 (34.9)	1.170 (29.5)	1.700 (43.3)	0.330 (8.5)	0.070 (1.9)

IN (MM)

Rim Conversion Kit

Description	Part Number
Rim Conversion Kit: Allows CX5 mortise cylinder to be used as a RIM cylinder.	CX5-RIMPACK





Small Format Interchangeable Cores (SFIC)



9807

Small Format Interchangeable Cores (SFIC) are designed to fit inside locks that have been manufactured to allow their locking core to be removed without disassembly. The core in SFIC locks can be replaced quickly using a control key, which operates and releases a retainer that holds the core inside the lock. After sliding the core out, the control key can be used to insert a new core. SFIC locks are widely used where re-keying is common, including offices, multi-unit housing, universities, and government buildings.

CX5 high security SFICs provide security and convenience with CX5 sidebar mechanisms, enhanced attack resistance, and geographically controlled keyways to prevent unauthorized duplication of keys.

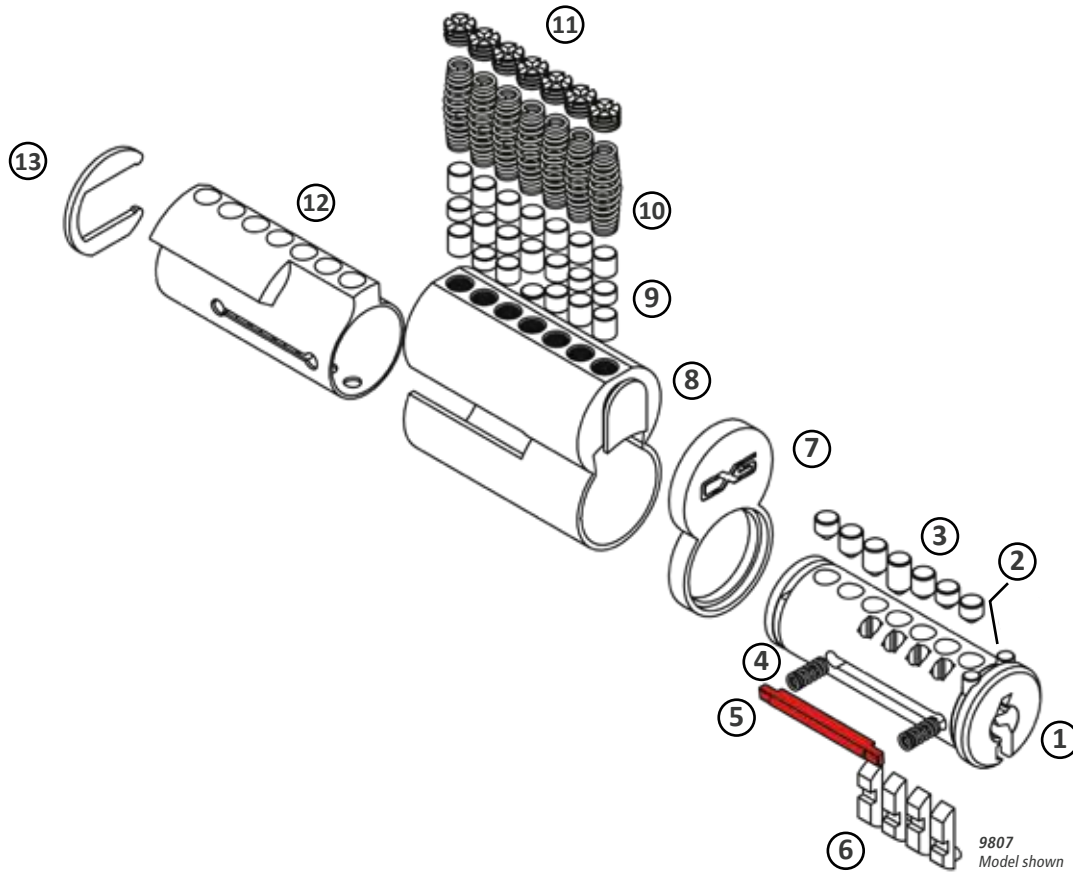
- // Geographically controlled keyways prevent unauthorized duplication of keys.
- // Made from high quality, precision milled solid brass.
- // Enhanced attack resistance through hardened steel pins that prevent drilling attacks.
- // Multiple locking points, and specially shaped pins prevent bump and picking attacks.
- // Compatible with housings and locks designed for BEST® SFIC cores.¹
- // Set screw capped top pin chambers for easy pinning.
- // Key and control key blanks sold separately, refer to page 36.
- // 1 Year Limited Warranty against manufacturer defects

How to Order

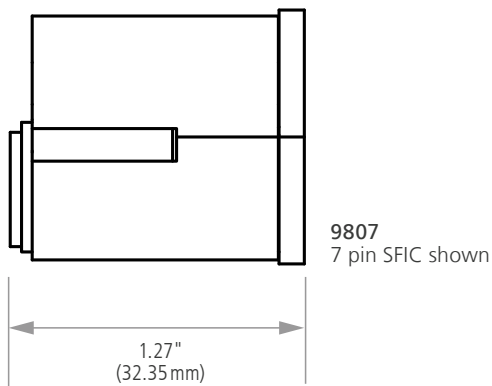
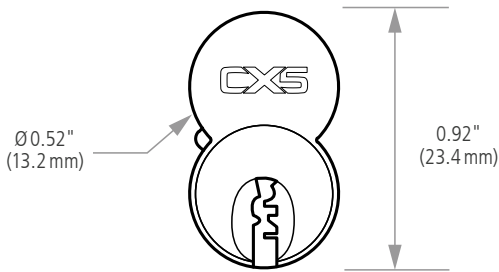
9807	26D	–	B	–	XXX
Part Number	Finish ²	–	Keyway	–	Side Pin Code
9806	26D: Satin		B		Insert your assigned
9807	chrome				side-pin code ³

(1) May require minor modification – please contact CX5 Customer Services at info@cx5security.com
 (2) Other architectural finishes are available, may require minimum order quantity and/or increased lead time.
 (3) Contact CX5 Customer Service to verify your assigned side pin code.

Unless specified otherwise, all CX5 cylinders are delivered 0-bitted, assembled complete with side pins and side bars.



9807
Model shown



9807
7 pin SFIC shown

Parts List (9807)

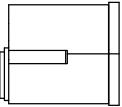
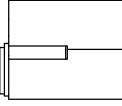
Item	Description	Part No.	Qty.
1	Plug	—	1
2	Anti-drill pin	—	2
3	Bottom pin ¹	CX5-BP [0 to 9]	7*
4	Side bar springs	CX5-SPRSBIC	2
5	Side bar	CX5-SBIC	1
6	Side pin ¹	CX5-SP[1 to 3]IC	4
7	Cylinder face cover	—	1
8	Cylinder housing	—	1
9	Top pin ¹	CX5-TPIN	21*
10	Top pin spring	CX5-SPRTPSFIC	7*
11	Set screw cap	CX5-TPSET	7
12	Cylinder cam sleeve	CX5-CAM1	1
13	Cam screw	CX5-CAMSCREW	1

(1) cylinders are 0-bitted by default.
(*) Number of pins depend on cylinder

All dimensions, photos and illustrations are for reference only.
For pinning components refer to page 39.



Small Format Interchangeable Cores

Description	Part Number	
SFIC, BEST® format, 6 Pin	9806	 <p data-bbox="1143 457 1230 504">1.100" (28.09 mm)</p>
SFIC, BEST® format, 7 Pin	9807	 <p data-bbox="1143 655 1230 701">1.270" (32.35 mm)</p>



SFIC Housings

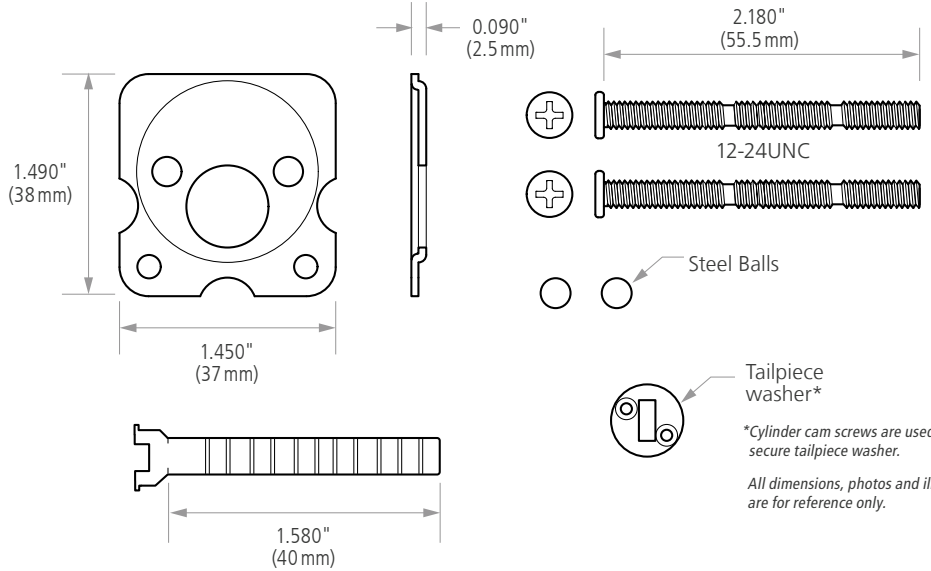
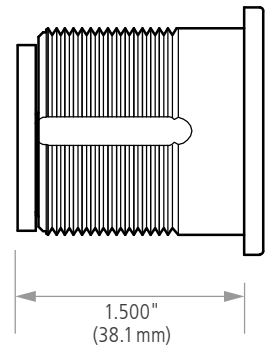
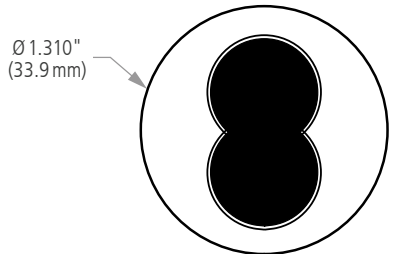
These specialized units allow for SFIC plugs to be used in rim or mortise applications. Common applications include exit device trims, storefront doors using mortise locks, and other surface applied locks.

Description	Part Number
Mortise SFIC Housing ¹ with CX5-RIMPACK Rim Conversion Kit and CX5-CAM2 (Yale®) cam	9807H

(1) Refer to page 21 for available mortise cams, sold separately.



9807H
Housing with CX5-RIMPACK installed



Tailpiece washer*
*Cylinder cam screws are used to secure tailpiece washer.
All dimensions, photos and illustrations are for reference only.



Large Format Interchangeable Cores (LFIC)



9906
Schlage® Format



9916
Medeco® Format

Large Format Interchangeable Cores (LFIC) function identically to their SFIC (Small Format Interchangeable Core) counterparts and can be removed using a control key. As implied by their name, LFICs are larger and are not tied to a common industry-wide format. LFICs are different from brand to brand and are not interchangeable between brands.

CX5 high security LFICs are available in Schlage® or Medeco® formats for easy integration into existing systems and benefit from CX5 sidebar mechanisms, enhanced attack resistance, and geographically controlled keyways to prevent unauthorized duplication of keys.

- // Geographically controlled keyways prevent unauthorized duplication of keys.
- // Made from high quality, precision milled solid brass.
- // Enhanced attack resistance through hardened steel pins to prevent drilling attacks.
- // Multiple locking points, and specially shaped pins prevent bump and picking attacks.
- // Easy retrofit, fully compatible with Schlage® or Medeco® formats.
- // Medeco® (9916) model includes set-screw capped top pin chambers for easy pinning.
- // Key and control key blanks sold separately, refer to page 36.
- // 1 Year Limited Warranty against manufacturer’s defects.

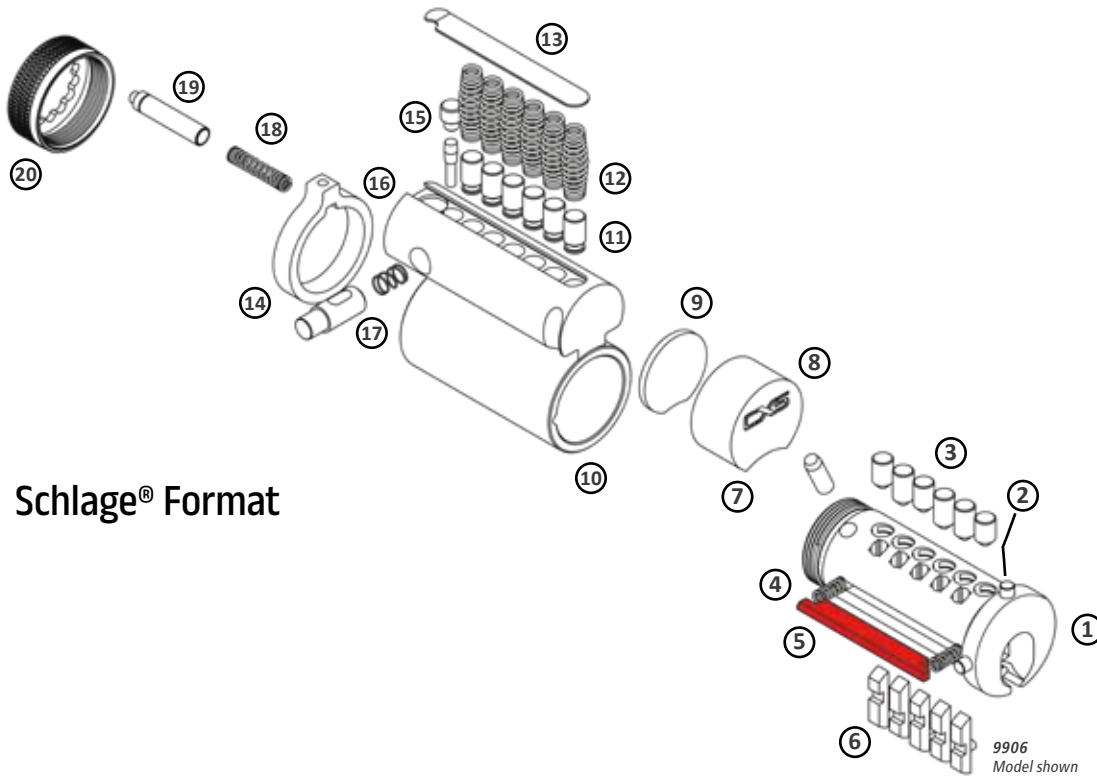
How to Order

9916	26D	–	B	–	XXX
Part Number	Finish ¹	–	Keyway	–	Side Pin Code
9906	26D: Satin		B		Insert your assigned side-pin code ²
9916	chrome				

(1) Other architectural finishes are available, may require minimum order quantity and/or increased lead time.

(2) Contact CX5 Customer Service to verify your assigned side pin code.

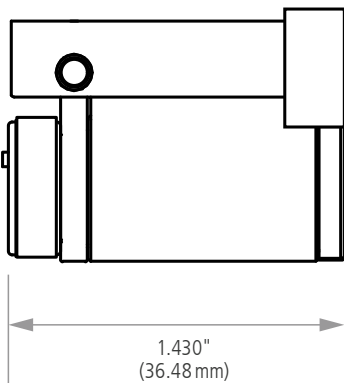
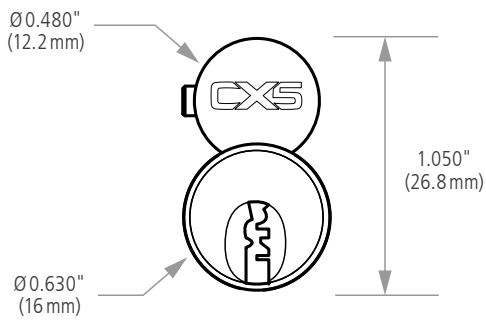
Unless specified otherwise, all CX5 cylinders are delivered 0-bitted, assembled complete with side pins and side bars.



Schlage® Format

Parts List (9906)

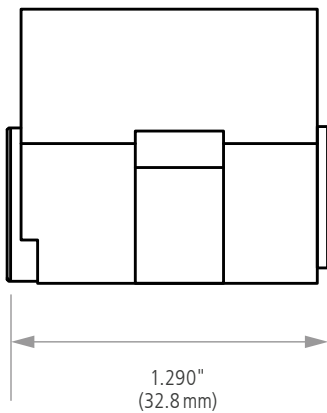
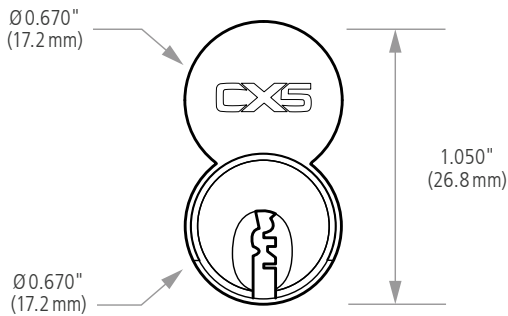
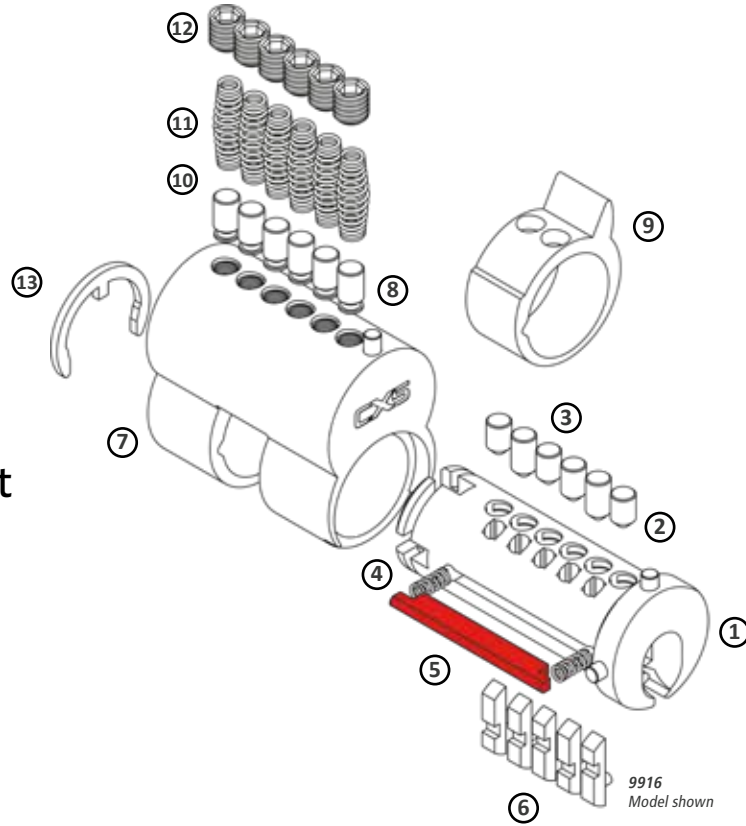
Item	Description	Part No.	Qty.
1	Plug	—	1
2	Anti-drill pin	—	2
3	Bottom pin ¹	CX5-BP [0 to 9]	6
4	Side bar spring	CX5-SPRSBIC	2
5	Side bar	CX5-SBIC	1
6	Side pin	CX5-SP [1 to 4]	5
7	Plug control pin	—	1
8	Cylinder face cover	—	1
9	Plate	—	1
10	Cylinder housing	—	1
11	Top mushroom pin ¹	CX5-MPIN	6
12	Top pin spring	CX5-SPRTPSFIC	6
13	Pin cover	—	1
14	Cylinder control ring	—	1
15	Cylinder control pins	—	1
16	Locking pin spring	—	1
17	Locking pin	—	1
18	Cap pin spring	—	1
19	Cap pin	—	1
20	Screw cap	—	1



(1) cylinders are 0-bitted by default.

All dimensions, photos and illustrations are for reference only.
For cylinder parts - please contact CX5 customer service.
For pinning components refer to page 39.

Medeco® Format



Parts List (9916)

Item	Description	Part No.	Qty.
1	Plug	—	1
2	Anti-drill pin	—	2
3	Bottom pin ¹	CX5-BP [0 to 9]	6
4	Side bar spring	CX5-SPRSBIC	2
5	Side bar	CX5-SBIC	1
6	Side pin	CX5-SP [1 to 4]	5
7	Cylinder housing	—	1
8	Anti drill pin	—	2
9	Sleeve	—	1
10	Top mushroom pin ¹	CX5-MPIN	6
11	Top pin spring	CX5-SPRTPSFIC	6
12	Cap set screw	CX5-TPSET	6
13	Snap ring	—	1

(1) cylinders are 0-bitted by default.

All dimensions, photos and illustrations are for reference only.
For cylinder parts - please contact CX5 customer service.
For pinning components refer to page 39.

High Security Deadbolts

Deadbolts are locks designed specifically for security – however they are not all equal. Simply compare a big-box or store-bought deadbolt with a commercial Grade 1 or Grade 2 quality deadbolt and the differences are immediate and clear. They're built to take abuse, resist fire, attacks, and hold fast.

DOREX GX1 and TLA deadbolts are quality commercial grade deadbolts whose security features have been enhanced with CX5 cylinders. These deadbolts now not only can resist abuse, fire, and physical attacks, but also picking, bumping, and drilling attempts. While CX5 geographically controlled keys ensure only authorized CX5 resellers have access to your key.

DOREX GX1A (GRADE 1) CX5 CYLINDER INSIDE



SFIC model available

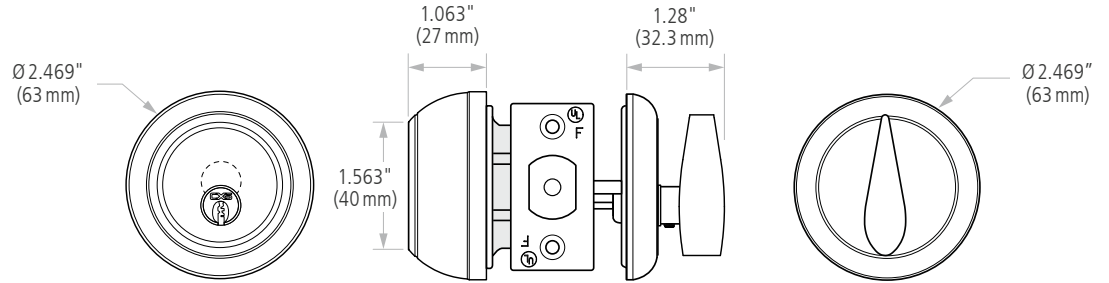
- // Conforms to ANSI/BHMA A156.5 Grade 1
- // cULus Listed, 3hr Fire-rating
- // For doors 1 9/16–2" (40–51 mm) thick
- // 2 3/4" (70 mm) backset
 - » Adjustable 2 3/8" or 2 3/4" (60 mm or 70 mm) backset available
- // Deadbolt with hardened steel security pin and 1 in (25.4 mm) throw
- // Free spinning cylinder collar and steel security shield for enhanced protection from physical attacks
- // Fits common 2 1/8" (54 mm) door preparations
- // Concealed mounting screws
- // 6-pin KIK/KIL cylinder in steel housing, CX5 keyway (0-bitted)
- // Key blanks sold separately, refer to page 36
- // Small format interchangeable core model available (CX5 SFIC cylinder, 0-bitted, included)

DOREX TLA (GRADE 2) CX5 CYLINDER INSIDE



SFIC model available

- // Conforms to ANSI/BHMA A156.5 Grade 2
- // cULus Listed, 3hr Fire-rating
- // For doors 1 3/8–1 3/4" (35–44.5 mm) thick
- // 2 3/4" (70 mm) backset
 - » Adjustable 2 3/8" or 2 3/4" (60 mm or 70 mm) backset available
- // Deadbolt with hardened steel security pin and 1 in (25.4 mm) throw
- // Free spinning cylinder collar and steel security shield for enhanced protection from physical attacks
- // Fits common 2 1/8" (54 mm) and 1 1/2" (38 mm) door preparations
- // Concealed mounting screws
- // 6-pin KIK/KIL cylinder in steel housing, CX5 keyway (0-bitted)
- // Key blanks sold separately, refer to page 36
- // Small format interchangeable core model available (CX5 SFIC cylinder, 0-bitted, included)



DOREX GX1A High Security Deadbolt

Part Number	Description
CX5 Triio	
CX5-GX1A51-C26D-9125T	Single cylinder deadbolt and thumbturn with fixed 2 3/4" (70 mm) backset. CX5 Triio Cylinder (0-bitted). Satin Chrome finish.
CX5-GX1A51-C26D-U-9125T	Single cylinder deadbolt and thumbturn with adjustable 2 3/8" – 2 3/4" (60–70 mm) backset. CX5 Triio Cylinder (0-bitted). Satin Chrome finish.
CX5-GX1A60-C26D-9125T	Double cylinder deadbolt with fixed 2 3/4" (70 mm) backset. CX5 Triio Cylinder (0-bitted). Satin Chrome finish.
CX5	
CX5-GX1A51-C26D-9125	Single cylinder deadbolt and thumbturn with fixed 2 3/4" (70 mm) backset. CX5 Cylinder (0-bitted). Satin Chrome finish.
CX5-GX1A51-C26D-U-9125	Single cylinder deadbolt and thumbturn with adjustable 2 3/8" – 2 3/4" (60–70 mm) backset. CX5 Cylinder (0-bitted). Satin Chrome finish.
CX5-GX1A60-C26D-9125	Double cylinder deadbolt with fixed 2 3/4" (70 mm) backset. CX5 Cylinder (0-bitted). Satin Chrome finish.
CX5 SFIC³	
CX5-GX1A51IC-C26D-9807	Single cylinder deadbolt and thumbturn with fixed 2 3/4" (70 mm) backset. CX5 SFIC Cylinder (0-bitted) included. Satin Chrome finish.
CX5-GX1A51IC-C26D-U-9807	Single cylinder deadbolt and thumbturn with adjustable 2 3/8" – 2 3/4" (60–70 mm) backset. CX5 SFIC Cylinder (0-bitted) included. Satin Chrome finish.
CX5-GX1A60IC-C26D-9807	Double cylinder deadbolt with fixed 2 3/4" (70 mm) backset. CX5 SFIC Cylinder (0-bitted) included. Satin Chrome finish.

How to Order

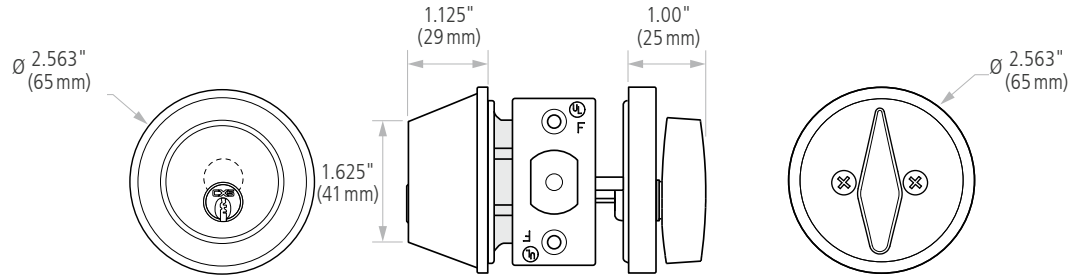
CX5-GX1A	51	–	C26D	–	U	–	9125T	–	B	–	XXX
Series	Function		Finish ¹		Backset		Cylinder		Keyway ³		Side Pin Code
	51: Single cyl.		C26D: Satin Chrome		(blank): 2 3/4" (70 mm)		9125: Original		Z, B, C		Insert your assigned side-pin code ²
	60: Double cyl.				U: 2 3/8"–2 3/4" (60–70 mm)		9125T: Triio				
	51/61 IC: SFIC ver						9807: CX5 SFIC ³				

(1) Other architectural finishes are available, may require minimum order quantity and/or increased lead time.

(2) Contact CX5 Customer Service to verify your assigned side pin code.

(3) 9807 SFIC is only available with the B keyway.

Unless specified otherwise, all CX5 cylinders are delivered 0-bitted, assembled complete with side pins and side bars.



DOREX TLA Security Deadbolt

Part Number	Description
CX5 Triio	
CX5-TLA51-C26D-9125T	Single cylinder deadbolt and thumbturn with fixed 2 3/4" (70 mm) backset. CX5 Triio Cylinder (0-bitted). Satin Chrome finish.
CX5-TLA51-C26D-U-9125T	Single cylinder deadbolt and thumbturn with adjustable 2 3/8"–2 3/4" (60–70 mm) backset. CX5 Triio Cylinder (0-bitted). Satin Chrome finish.
CX5-TLA60-C32D-9125T	Double cylinder deadbolt with fixed 2 3/4" (70 mm) backset. CX5 Triio Cylinder (0-bitted). Satin Stainless Steel finish.
CX5-TLA60-C32D-U-9125T	Double cylinder deadbolt with adjustable 2 3/8"–2 3/4" (60–70 mm) backset. CX5 Triio Cylinder (0-bitted). Satin Stainless Steel finish.
CX5	
CX5-TLA51-C26D-9125	Single cylinder deadbolt and thumbturn with fixed 2 3/4" (70 mm) backset. CX5 Cylinder (0-bitted). Satin Chrome finish.
CX5-TLA51-C26D-U-9125	Single cylinder deadbolt and thumbturn with adjustable 2 3/8"–2 3/4" (60–70 mm) backset. CX5 Cylinder (0-bitted). Satin Chrome finish.
CX5-TLA60-C32D-9125	Double cylinder deadbolt with fixed 2 3/4" (70 mm) backset. CX5 Cylinder (0-bitted). Satin Stainless Steel finish.
CX5-TLA60-C32D-U-9125	Double cylinder deadbolt with adjustable 2 3/8"–2 3/4" (60–70 mm) backset. CX5 Cylinder (0-bitted). Satin Stainless Steel finish.
CX5 SFIC³	
CX5-TLA51IC-C26D-9807	Single cylinder deadbolt and thumbturn with fixed 2 3/4" (70 mm) backset. CX5 SFIC Cylinder (0-bitted) included. Satin Chrome finish.
CX5-TLA51IC-C32D-9807	Single cylinder deadbolt and thumbturn with fixed 2 3/4" (70 mm) backset. CX5 SFIC Cylinder (0-bitted) included. Satin Stainless Steel finish.

How to Order

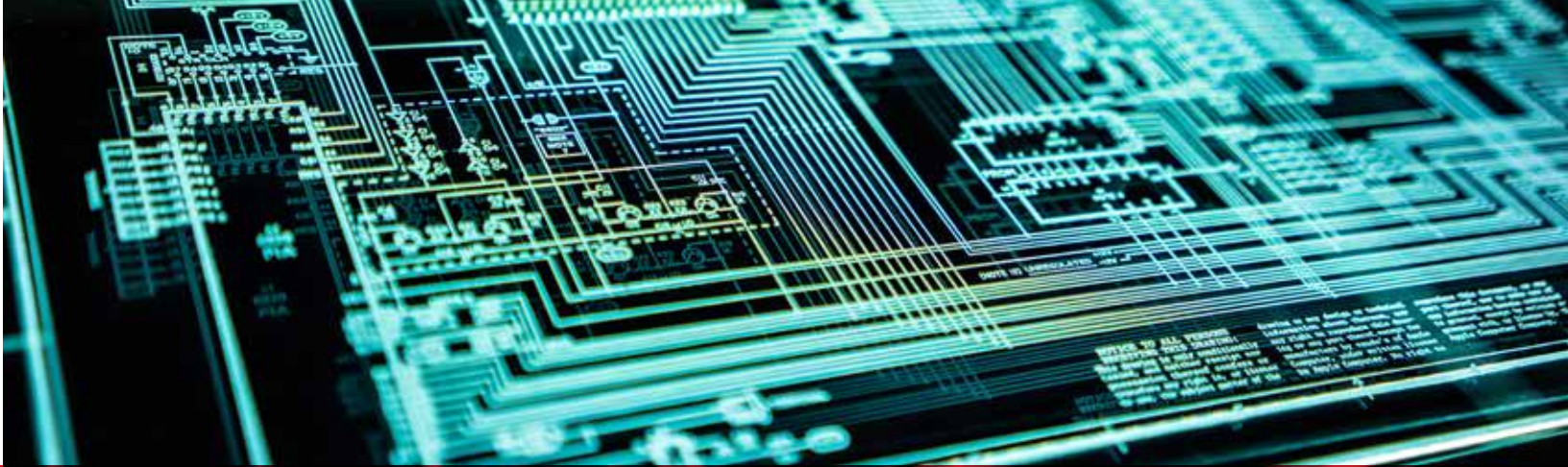
CX5-TLA	51	–	C26D	–	U	–	9125T	–	B	–	XXX
Series	Function		Finish ¹		Backset		Cylinder		Keyway ³		Side Pin Code
	51: Single cyl.		C26D: Satin Chrome		(blank): 2 3/4" (70 mm)		9125: Original		Z, B, C		Insert your assigned side-pin code ²
	60: Double cyl.				U: 2 3/8"–2 3/4" (60–70 mm)		9125T: Triio				
	51 IC: SFIC ver.		C32D: Satin Stainless Steel				9807: CX5 SFIC ³				

(1) Other architectural finishes are available, may require minimum order quantity and/or increased lead time.

(2) Contact CX5 Customer Service to verify your assigned side pin code.

(3) 9807 SFIC is only available with the B keyway.

Unless specified otherwise, all CX5 cylinders are delivered 0-bitted, assembled complete with side pins and side bars.



High Security Electronic RFID Deadbolt

DOREX F400 series of electronic locks are equipped with a powerful and efficient electromechanical locking system. Ideal for moderate commercial or heavy residential traffic applications that require an easy-to-manage access system that can operate independently or in conjunction with other RFID enabled systems.

Equipped with a 13.56 MHz RFID reader, the F400 series integrates easily with existing RFID enabled access systems; allowing their RFID keys to operate F400 locks. With a simple physical installation and straight-forward programming, F400 locks can be used to expand, upgrade or retro-fit existing systems.

With a CX5 cylinder, the F400 can integrate with existing CX5 systems and introduce access control features.

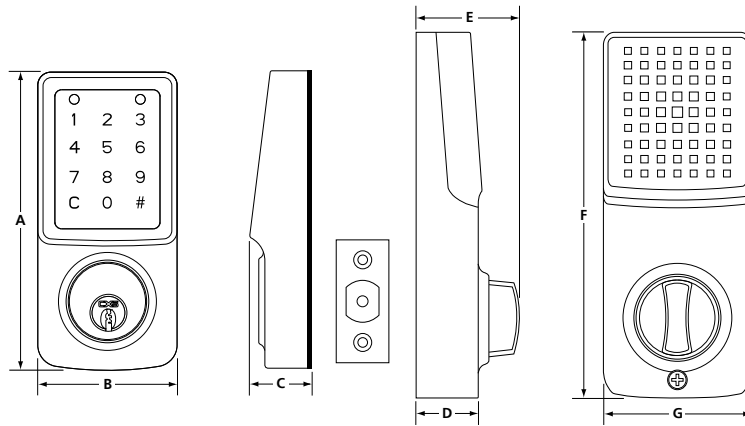
DOREX F400 (GRADE 2) CX5 CYLINDER INSIDE



- // Conforms to ANSI/BHMA A156.5, Grade 2
- // cULus listed, 2hr fire-rating
- // For doors 1 $\frac{3}{8}$ to 2" (35 to 51 mm) thick
- // Non-handed
- // Adjustable 2 $\frac{3}{8}$ " or 2 $\frac{3}{4}$ " (60 mm or 70 mm) backset
- // Solid steel deadbolt with security pin, 1" (25.4mm) throw
- // Steel cylinder housing
- // Fits standard door preparations for cylinder and/or tubular locks; no additional holes or wiring required
- // 6-pin KIK/KIL cylinder in steel housing, CX5 keyway (0-bitted)
- // Key blanks sold separately, refer to page 36
- // Digital touch keypad with blue LED back-light
- // RFID Protocol: MIFARE™ 13.56 MHz (Classic 1K)
- // 2 RFID cards included

Electronic Features:

- // Easy to program and pair RFID keys
- // 50 individual user codes available
 - » 25 programmable codes (4-8 digits)
 - » 25 RFID tokens
- // 4 renewable single use codes
- // Auto Lock with delay
- // Vacation Mode (disables keypad)
- // Optional random screen keypad activation code to prevent number probing
- // Two-factor authentication mode (requiring user code + RFID token) available for additional security



A	B	C	D	E	F	G
$5\frac{7}{16}$	$2\frac{1}{2}$	$1\frac{1}{8}$	$1\frac{1}{8}$	2	$6\frac{13}{16}$	$2\frac{3}{4}$
(138)	(65)	(29)	(30)	(51.5)	(173)	(70)

IN (MM)

DOREX F400 Security RFID Electronic Deadbolt

NOTE: For detailed specifications on the DOREX F400 please contact CX5 customer service. Please refer to the ordering instructions below.

Part Number	Description
CX5 Triio	
ASM-F400T-15-9125T	Single cylinder RFID deadbolt with LED back-lit touch keypad and thumbturn. Adjustable $2\frac{3}{8}$ – $2\frac{3}{4}$ " (60–70 mm) backset. Installed with CX5 Triio Cylinder (0-bitted) and Satin Chrome finish.
ASM-F400T-19-9125T	Single cylinder RFID deadbolt with LED back-lit touch keypad and thumbturn. Adjustable $2\frac{3}{8}$ – $2\frac{3}{4}$ " (60–70 mm) backset. Installed with CX5 Triio Cylinder (0-bitted) and Matte Black finish.
CX5	
ASM-F400T-15-9125	Single cylinder RFID deadbolt with LED back-lit touch keypad and thumbturn. Adjustable $2\frac{3}{8}$ – $2\frac{3}{4}$ " (60–70 mm) backset. Installed with CX5 Cylinder (0-bitted) and Satin Chrome finish.
ASM-F400T-19-9125	Single cylinder RFID deadbolt with LED back-lit touch keypad and thumbturn. Adjustable $2\frac{3}{8}$ – $2\frac{3}{4}$ " (60–70 mm) backset. Installed with CX5 Cylinder (0-bitted) and Matte Black finish.

How to Order

ASM-F400T	–	15	–	9125T	–	B	–	XXX
Model		Finish ¹		Cylinder		Keyway		Side Pin Code
Select product number from the list above		15: Satin nickel 19: Matte black		9125: Original 9125T: Triio		Z, B, C		Insert your assigned side-pin code ²

(1) Other architectural finishes are available, may require minimum order quantity and/or increased lead time.

(2) Contact CX5 Customer Service to verify your assigned side pin code.

Unless specified otherwise, all CX5 cylinders are delivered 0-bitted, assembled complete with side pins and side bars.

CX5 Integrated Products

CX5 High Security technologies are meant to be integrated into existing quality door hardware from nearly any manufacturer. You can replace existing cylinders or use SFIC/LFIC models of popular door hardware. For more information about ordering pre-integrated door hardware – please contact CX5 Customer Services or your local quality door hardware supplier and ask them about CX5 High Security Cylinders.

RESIDENTIAL DOOR LOCKS



CYLINDRICAL / COMMERCIAL DOOR LOCKS



DEADBOLT LOCKS



PADLOCKS



EXIT DEVICE TRIMS



ANSI MORTISE LOCKS



STOREFRONT MORTISE LOCKS



CX5 Keys, Accessories, Tools and Kits

Keys

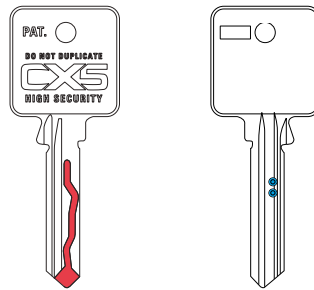
CX5 High Security keys are made of durable materials to ensure excellent wear resistance.

CX5 Triio keys are backward compatible with existing, non-Triio CX5 cylinders of the same CX5 profile and side-pin code for seamless integration and expandability with existing CX5 key systems.

CX5 Original Key



CX5 Triio Key



Description	Material	Part Number
Key Blank, 6-pin Also used as control key for 6-pin Medeco® LFIC.	Nickel-silver alloy	9065
Key Blank, 7-pin Also used as control key for SFIC.	Nickel-silver alloy	9874
Key Blank, 6-pin, Schlage® LFIC Control Key	Brass	9965

How to Order

9065	T	—	B	—	XXX
Part Number	Technology	Keyway	Side Pin Code		
See product listing above	(blank): Original T: Triio ¹	Z, B ¹ , C	Insert your assigned side-pin code ²		

(1) SFIC/LFIC cylinders are not available with Triio and are only available with the B keyway.
 (2) Contact CX5 Customer Service to verify your assigned side pin code.

Selection Guide

	6-Pin	7-Pin	Control
CX5 KIL/KIK	9065	—	—
CX5 Mortise	9065T	—	—
CX5 SFIC ¹	9874	9874	9874
CX5 Medeco® LFIC ¹	9065	—	9065
CX5 Schlage® LFIC ¹	9065	—	9965

Pin Kits



Part Number	Description
CX5-PKST	CX5 Standard Pin Kit: <i>Contains bottom, top, master and side pins, springs, both side bars, set screws, cam screws, cap pins, cap pin springs, clips and washers (2 boxes)</i>
CX5-PKSFIC	CX5 SFIC Pin Kit: <i>Contains bottom, top, master and side pins, springs, set screws, side bar and clips (2 boxes)</i>

NOTE: All pins also are available in bulk – refer to pages 37-39.

Parts Kit



Part Number	Description
CX5-PARTKIT	CX5 Parts Kit: <i>Includes mortise CAMs, lazy and fixed tailpieces.</i>

NOTE: All pins and parts also are available in bulk – refer to pages 37-39.

CX5-PKST

Part No.	Description
CX5-MP [2-9]	Master Pins #2 to 9
CX5-BP [0-9]	Bottom Pins #0 to 9
CX5-SP [1-4]	Side Pins #1 to 4
CX5-SB5	Side Bar
CX5-SPRSB	Spring for Side Bar
CX5-MPIN	Mushroom Pin
CX5-TPIN	Top Pin
CX5-SPRTPM	Top Pin Spring Mortise
CX5-SPRTPK	Top Pin Spring KIK
CX5-TPSET	Set Screw
CX5-CAMSCREW	Cam Screw for Mortise
CX5-KIKPIN	Pin for Screw Cap
CX5-KIKSPR	Spring for Screw Cap
CX5-CCLIP	Black C Clip
CX5-BLKWSHR	Tailpiece Retainer/Washer
CX5-KEYALLEN-LFIC	Allen Key

CX5-PKSFIC

Part No.	Description
CX5-MP [2-19] IC	SFIC Master Pins #2 to 19
CX5-BP [0-9] IC	Bottom Pins #0 to 9
CX5-SPRTPIC	Top Pin Spring
CX5-TPSETIC	Set Screw
CX5-SP [1-3] IC	Side Pins #1 to 3
CX5-SBIC	Side Bar
CX5-SPRSBIC	Spring for Side Bar
CX5-CLIPSFIC	SFIC C-Clip

CX5-PARTKIT

Part No.	Description
CX5-CAM1	Adams Rite® Type Cam
CX5-CAM2	Yale® Type Cam
CX5-CAM2A	Yale® Narrow Type Cam
CX5-CAM3	Russwin® Type Cam
CX5-CAM4	Falcon® Type Cam
CX5-CAM7	Schlage® Type Cam
CX5-CAM8-OFFSET	Sargent® Offset Type Cam
CX5-160D-TPK	Deadbolt Tailpiece Kit
CX5-9115TPF-01	Tailpiece Knobset
CX5-9115TPF-02	Tailpiece Leverset
CX5-9125TPL-01	Tailpiece Single Cylinder Deadbolt
CX5-9125TPL-02	Tailpiece Double Cylinder Deadbolt (set)
CX5-9145TPL-01	Tailpiece Single Cylinder Deadbolt
CX5-9145TPL-02	Tailpiece Double Cylinder Deadbolt
CX5-9165TP	Tailpiece Universal Cylinder Deadbolt
CX5-RIMPACK	Rim Pack
CX5-KIKCAP	Screw Cap
CX5-KIKCAPSHRT	Short Screw Cap

Control Cards



CX5 Control Cards are sequentially numbered and have a signature panel. Cards are issued by servicing locksmith or dealer who directly supports the system owner. **Cardholders must present valid picture identification and signature in order to obtain a key duplicate.**

Part Number	Description
CX5-CONTROLCARDS	Blank Control Cards (Pack of 100)



CX5-PLGHDR

Tools



CX5-CARD

Part Number	Description
CX5-PLGHDR	Cylinder Plug Holder
CX5-CARD	HPC Key Cutting Card

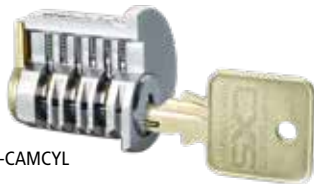
Sales Kit

The CX5 sales kit contains an excellent selection of CX5 hardware ideal for demonstrating CX5 product. Includes a complete DOREX TLA deadbolt, along with full Mortise and KIK cylinders (and their keys). The kit also includes both KIK and Mortise cut-away cylinders to illustrate the inner workings of CX5 cylinders. Both KIK and Mortise cut-away cylinders are also available separately for counter-top or on-the-spot demonstrations.



CX5-SALEKIT

Part Number	Description
CX5-SALEKIT	CX5 Sales Kit: <i>Contains DOREX TLA Triio deadbolt, mortise, KIK, SFIC cylinders, keys and cut-away mortise and KIK cylinders to illustrate inner workings of CX5 cylinders.</i>



CX5-CAMCYL

CX5-CAMCYL	CX5 Mortise Cut-Away Cylinder
------------	-------------------------------



CX5-CAKCYL

CX5-CAKCYL	CX5 KIK Cut-Away Cylinder
------------	---------------------------

Top & Bottom Pins

Part No.	Description	QTY
CX5-TPIN	Top Pin	100
CX5-MPIN	Top Mushroom Pin	100
CX5-SPRTPM	Top Pin Spring, Mortise Cylinder	100
CX5-SPRTPK	Top Pin Spring, KIK/KIL Cylinder	100
CX5-SPRTPSFIC	Top Pin Spring for SFIC	100
CX5-BP0	Bottom Pin #0	100
CX5-BP1	Bottom Pin #1	100
CX5-BP2	Bottom Pin #2	100
CX5-BP3	Bottom Pin #3	100
CX5-BP4	Bottom Pin #4	100
CX5-BP5	Bottom Pin #5	100
CX5-BP6	Bottom Pin #6	100
CX5-BP7	Bottom Pin #7	100
CX5-BP8	Bottom Pin #8	100
CX5-BP9	Bottom Pin #9	100
CX5-BP0IC	SFIC Bottom Pin #0	100
CX5-BP1IC	SFIC Bottom Pin #1	100
CX5-BP2IC	SFIC Bottom Pin #2	100
CX5-BP3IC	SFIC Bottom Pin #3	100
CX5-BP4IC	SFIC Bottom Pin #4	100
CX5-BP5IC	SFIC Bottom Pin #5	100
CX5-BP6IC	SFIC Bottom Pin #6	100
CX5-BP7IC	SFIC Bottom Pin #7	100
CX5-BP8IC	SFIC Bottom Pin #8	100
CX5-BP9IC	SFIC Bottom Pin #9	100

Master Pins

Part No.	Description	QTY
CX5-MP2	Master Pin #2	100
CX5-MP3	Master Pin #3	100
CX5-MP4	Master Pin #4	100
CX5-MP5	Master Pin #5	100
CX5-MP6	Master Pin #6	100
CX5-MP7	Master Pin #7	100
CX5-MP8	Master Pin #8	100
CX5-MP9	Master Pin #9	100
CX5-MP2IC	SFIC Master Pin #2	100
CX5-MP3IC	SFIC Master Pin #3	100
CX5-MP4IC	SFIC Master Pin #4	100
CX5-MP5IC	SFIC Master pin #5	100
CX5-MP6IC	SFIC Master pin #6	100
CX5-MP7IC	SFIC Master pin #7	100
CX5-MP8IC	SFIC Master pin #8	100
CX5-MP9IC	SFIC Master pin #9	100
CX5-MP10IC	SFIC Master Pin #10	100
CX5-MP11IC	SFIC Master Pin #11	100
CX5-MP12IC	SFIC Master Pin #12	100
CX5-MP13IC	SFIC Master Pin #13	100
CX5-MP14IC	SFIC Master Pin #14	100
CX5-MP15IC	SFIC Master Pin #15	100
CX5-MP16IC	SFIC Master Pin #16	100
CX5-MP17IC	SFIC Master Pin #17	100
CX5-MP18IC	SFIC Master Pin #18	100
CX5-MP19IC	SFIC Master Pin #19	100
CX5-CMK4	CMK Construction Wafer #4	100

Side Bar Pins

Part No.	Description	Qty.
CX5-SP1	Side Pin #1	10
CX5-SP2	Side Pin #2	10
CX5-SP3	Side Pin #3	10
CX5-SP4	Side Pin #4	10
CX5-SP1IC	Side Pin #1 SFIC	10
CX5-SP2IC	Side Pin #2 SFIC	10
CX5-SP3IC	Side Pin #3 SFIC	10

For cylinder parts and lists please refer to the appropriate page for that product.

Maintenance Guide

CX5 Keys

- // Genuine CX5 key blanks must be used.
- // Keys must be kept clean and must retain a straight blade.
- // Keys must be inspected periodically and must be replaced when they show physical wear.
- // Duplication of keys must be performed by an authorized CX5 Dealer or Reseller.

CX5 Cylinders

- // Installation must be performed by an Authorized Dealer or Reseller.
- // Cylinders must not be submerged in water, or exposed to any chemical wash, or be painted.
- // Protect the cylinder from dirt and dust.
- // The cylinder's keyway must be lubricated with silicone lubricant at least twice a year as normal maintenance. In heavy use environments and/or extreme weather conditions, lubrication must be performed more frequently.



1725 50th avenue
Lachine, Quebec H8T 3C8
Email: info@cx5security.com
Fax: 514-327-8106

CX5 KEY STAMPING / ENGRAVING REQUIREMENTS

Company Name _____

Address _____

Telephone _____

Fax _____

Specify CX5 key stamping / engraving requirements in the space provided below.

- // Maximum 13 characters per line (including spaces and special characters).
- // Standard charge applied for engraving / stamping the first two lines.
- // A surcharge shall apply to engrave the third line.
- // **Do not exceed 3 lines. Please print in block letters.**

Standard charge for engraving first two lines

LINE 1: | | | | | | | | | | | | | | |

LINE 2: | | | | | | | | | | | | | | |

Surcharge for engraving 3rd line

LINE 3: | | | | | | | | | | | | | | |

Signature _____

Name _____

Title _____

Date _____



www.cx5security.com