

# Small Format Interchangeable Cores (SFIC)



9807

Small Format Interchangeable Cores (SFIC) are designed to fit inside locks that have been manufactured to allow their locking core to be removed without disassembly. The core in SFIC locks can be replaced quickly using a control key, which operates and releases a retainer that holds the core inside the lock. After sliding the core out, the control key can be used to insert a new core. SFIC locks are widely used where re-keying is common, including offices, multi-unit housing, universities, and government buildings.

CX5 high security SFICs provide security and convenience with CX5 sidebar mechanisms, enhanced attack resistance, and geographically controlled keyways to prevent unauthorized duplication of keys.

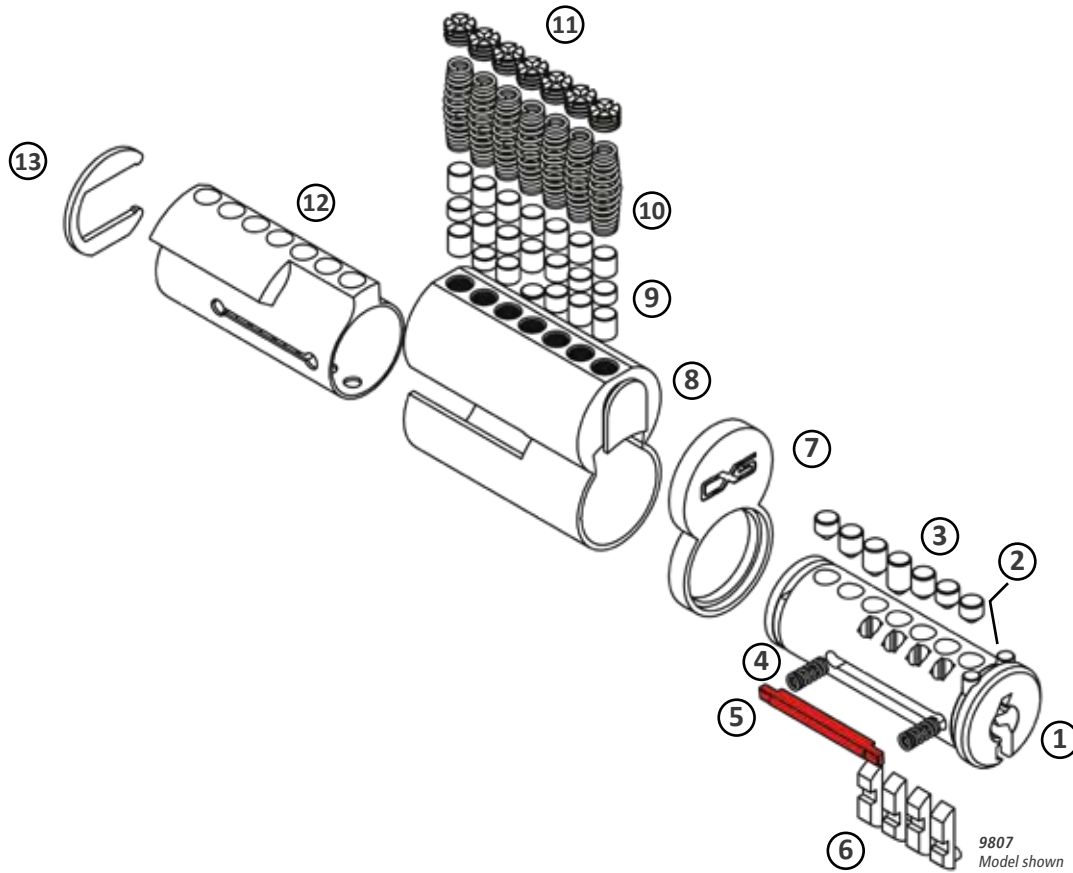
- // Geographically controlled keyways prevent unauthorized duplication of keys.
- // Made from high quality, precision milled solid brass.
- // Enhanced attack resistance through hardened steel pins that prevent drilling attacks.
- // Multiple locking points, and specially shaped pins prevent bump and picking attacks.
- // Compatible with housings and locks designed for BEST® SFIC cores.<sup>1</sup>
- // Set screw capped top pin chambers for easy pinning.
- // Key and control key blanks sold separately, refer to page 36.
- // 1 Year Limited Warranty against manufacturer defects

## How to Order

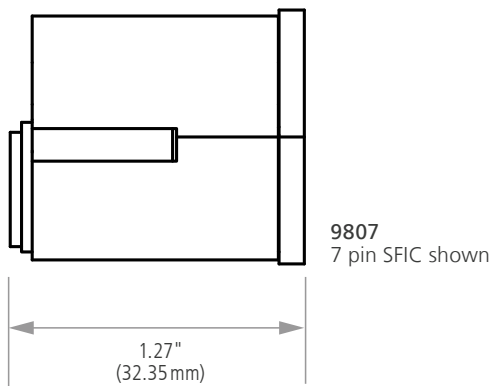
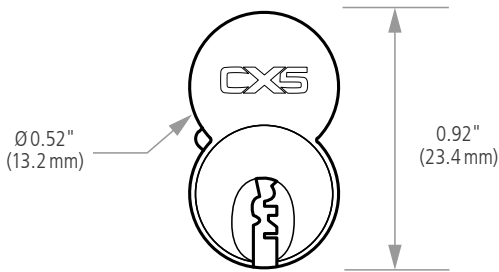
9807	26D	–	B	–	XXX
Part Number	Finish <sup>2</sup>	–	Keyway	–	Side Pin Code
9807	26D: Satin chrome		B		Insert your assigned side-pin code <sup>3</sup>

(1) May require minor modification – please contact CX5 Customer Services at [info@cx5security.com](mailto:info@cx5security.com)  
 (2) Other architectural finishes are available, may require minimum order quantity and/or increased lead time.  
 (3) Contact CX5 Customer Service to verify your assigned side pin code.

Unless specified otherwise, all CX5 cylinders are delivered 0-bitted, assembled complete with side pins and side bars.



9807  
Model shown



## Parts List (9807)

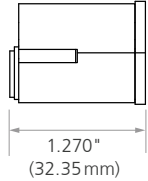
Item	Description	Part No.	Qty.
1	Plug	—	1
2	Anti-drill pin	—	2
3	Bottom pin <sup>1</sup>	BP [0 to 9]	7*
4	Side bar springs	SPRSBIC	2
5	Side bar	SBIC	1
6	Side pin <sup>1</sup>	SP[1 to 3]IC	4
7	Cylinder face cover	—	1
8	Cylinder housing	—	1
9	Top pin <sup>1</sup>	TPIN	21*
10	Top pin spring	SPRTPSFIC	7*
11	Set screw cap	TPSET	7
12	Cylinder cam sleeve	—	1
13	Snap ring	—	1

(1) cylinders are 0-bitted by default.  
(\* ) Number of pins depend on cylinder

All dimensions, photos and illustrations are for reference only.  
For pinning components refer to page 39.

## Small Format Interchangeable Cores



Description	Part Number	
SFIC, BEST® format, 7 Pin	9807	



## SFIC Housings

These specialized units allow for SFIC plugs to be used in rim or mortise applications. Common applications include exit device trims, storefront doors using mortise locks, and other surface applied locks.

Description	Part Number
Mortise SFIC Housing <sup>1</sup> with CX5-RIMPACK Rim Conversion Kit and CX5-CAM2 (Yale®) cam	9807H

(1) Refer to page 21 for available mortise cams, sold separately.



**9807H**  
Housing with  
CX5-RIMPACK installed

